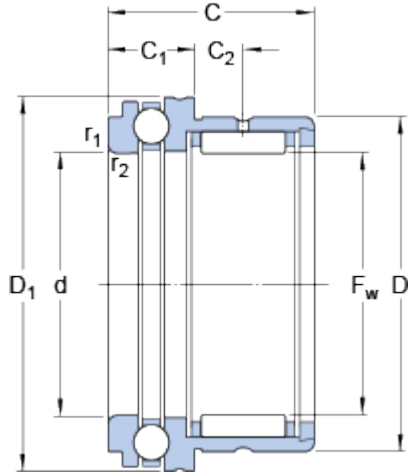


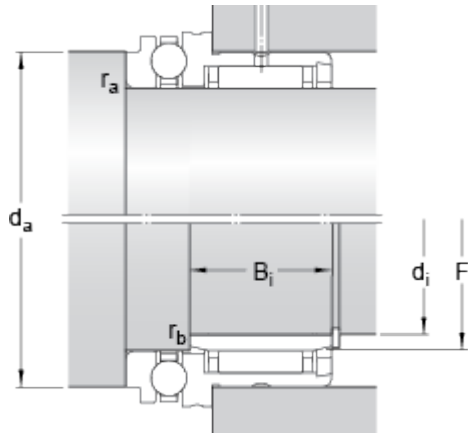
# NKX 10 TN

## Dimensions



$F_w$	10	mm	
$D$	19	mm	
$C$	23	mm	
$C_1$	9	mm	
$C_2$	6.5	mm	
$d$	10	mm	
$D_1$	24.1	mm	
$r_{1,2}$	min.	0.3	mm

## Abutment dimensions



$d_a$	min.	19.7	mm
$r_a$	max.	0.3	mm
$r_b$	max.	0.3	mm
$d_i$		7	mm
$F$		10	mm
$B_i$		16	mm

## Calculation data

Basic dynamic load rating, radial direction	$C$	5.9	kN
Basic static load rating, radial direction	$C_0$	8	kN
Basic dynamic load rating, axial direction	$C$	10	kN
Basic static load rating, axial direction	$C_0$	15.3	kN
Fatigue load limit, radial direction	$P_u$	0.9	kN
Fatigue load limit, axial direction	$P_u$	0.56	kN
Minimum axial load factor	$A$	1.2	
Reference speed		9500	r/min
Limiting speed		13000	r/min

**Mass**

---

Mass bearing	0.034	kg
--------------	-------	----

**Appropriate products**

---

Inner ring	IR 7x10x16
------------	------------